

# E-Z Lifter™

## Universal Mounting Kit Instructions

Before you begin installing the E-Z Lifter on your spa, make sure the spa is drained. Your E-Z Lifter Universal Mounting Kit contains the following parts:

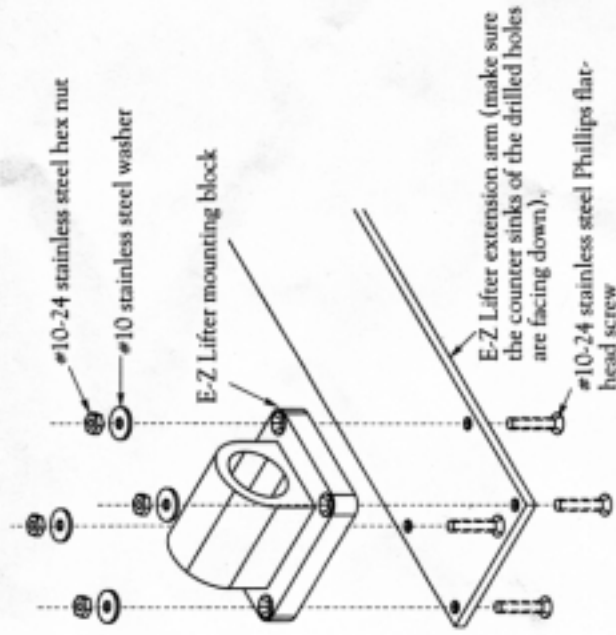
PART DESCRIPTION	QUANTITY
5 ft. long stainless steel chain	2
#10 stainless steel flat washer	8
#10-24 x 1 1/2" long stainless steel screw	8
#10-24 stainless steel hex nut	8
Black aluminum extension arms	2

If any parts are missing, contact your authorized E-Z Lifter dealer.

1. Assemble the mounting blocks from the E-Z Lifter kit to the extension arms using the screws, nuts, and washers that came with this kit. Ensure that the mounting blocks are mounted to the extension arms on the side opposite the screw hole counter sinks so that the screws are flush with the extension arm when assembled.

2. Assemble the E-Z Lifter according to the assembly instructions, but with the following changes:

- **DO NOT** attempt to attach the mounting blocks to the base of the spa as



instructed in the E-Z Lifter instruction manual. Instead, slide the extension arms under the spa so that the top, horizontal bridge arm of the E-Z Lifter falls 1/2" short of the cover seam.

- Replace the 16" long safety chain that was provided with your original assembly kit with the 5 ft. long safety chain that is provided with the Universal Mounting Kit. The chain may need to be cut or adjusted depending on the shape of the spa.

