

Installation Instructions for the Covermate III

Figure 1 - Installation of Mounting Brackets

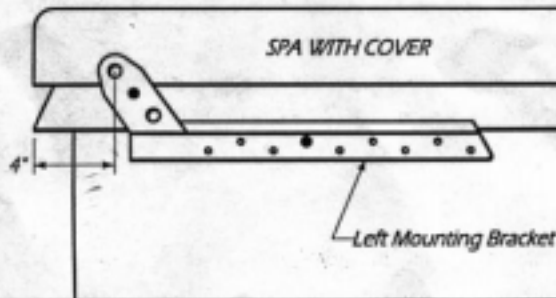


Figure 2 - Attaching Pivot Arms

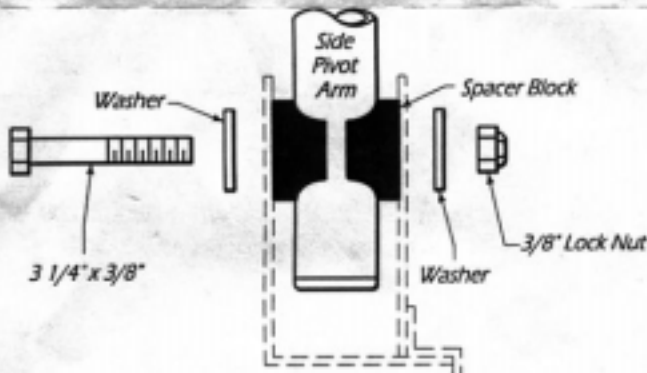


Figure 3 - Installation of Wind Lock Bar

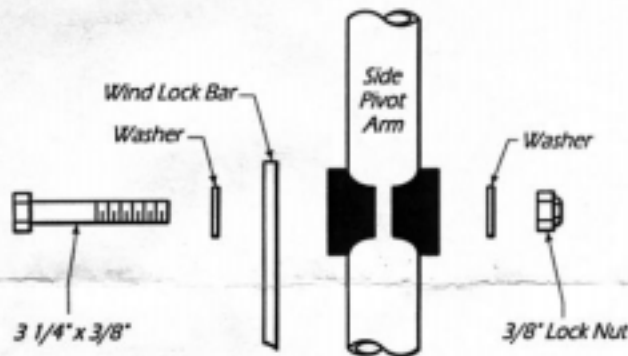
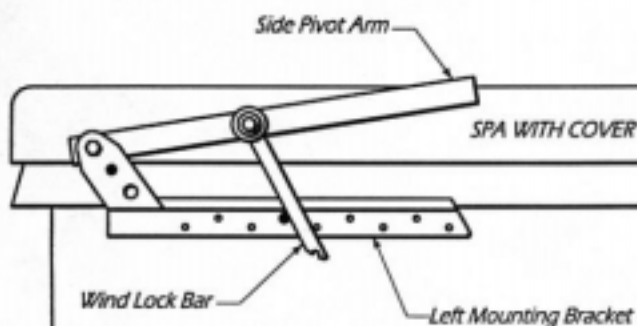


Figure 4 - Installation of Wind Lock Bar



Step #1

Position the spa cover (in closed position) on the spa, making sure that all four corners are properly positioned and square on the spa.

Step #2

Using the #10x1" screws, attach the left and right Mounting Brackets to the appropriate sides of the spa.

Note: Brackets can be mounted directly to the Top Rail of the Spa or to the side wall of the Spa.

Caution: To prevent splitting of wood cabinet, pre-drill holes with a 1/16" drill bit.

Step #3

Connect the Pivot Arms to the Mounting Brackets. (See Fig.2) After Pivot Arms are connected tilt them back into the upright position.

Step #4

Using the 3 1/4" x 3/8" Bolt and Nut attach the Wind Lock Bar to the inside edge of the left side Pivot Arm (see Fig.3 and Fig.4).

Slightly overtighten Nut and Bolt and then loosen so that Wind Lock swings freely.

Note: Be sure that Lock Nut is on outside edge of Pivot Arm.

Step #5

Attach Ball Stud to each Bracket using the 5/16" Nut and Washers provided (see Fig. 5).

Note: Install Ball Stud so that the Ball end points inward toward the spa (see Fig.5).

Next- slip the Ball Stud Straps over the end of the Pivot Arms and position so that Pilot Hole on Ball Stud Strap lines up with Bottom Pilot Hole on Pivot Arm. Insert #10 self tapping Screw and tighten Ball Stud and Nut (see Fig.6).

Note: Be sure that the Ball is pointing outward, away from the Spa.

Caution: Do not install Shocks at this time.

Step #6

Slip the Lock Down Straps on to the long end of each Support Arm (see Fig.7). Next, slip the Cover Retainer Clips on to the long end of the Support Arms (see Fig.7.) **Note:** there is a left side and right side Retainer Clip. Next, slip the long end of the Support Arms into the Center Coupler Piece. Then slide Support Arms into the Pivot Arms (See Fig.7).